

1 x 15" front horn bass/mid enclosure

Application

This cabinet is for use in the next frequency range above bass or sub-bass bins. The front horn loaded design provides long throw projection up to 1 KHz to accompany mid and high frequency horns in a long throw system. The design is also ported to provide maximum output.

The cabinet's output can overlap that of a sub-bass cabinet if the latter has a separate input.

Cabinet Type

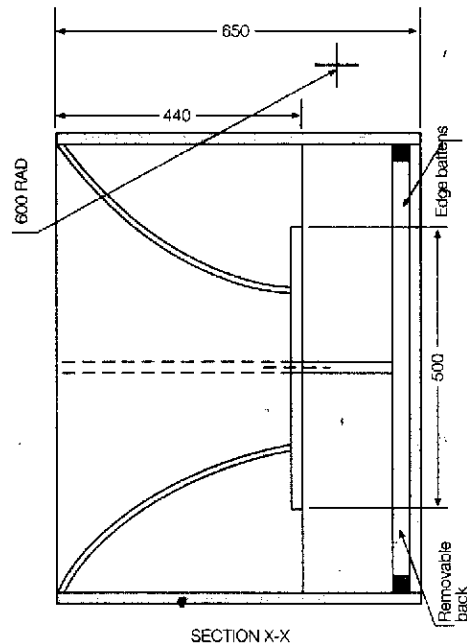
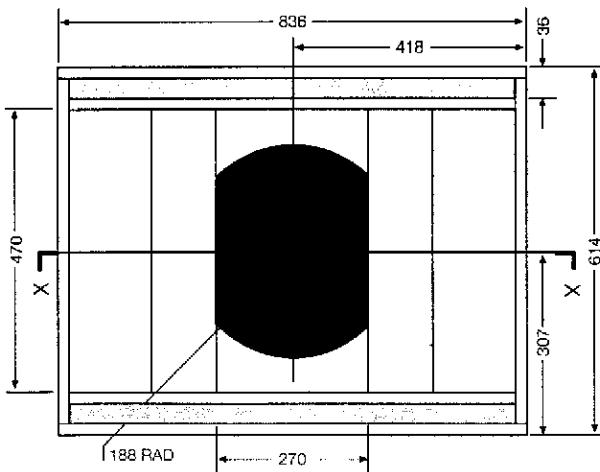
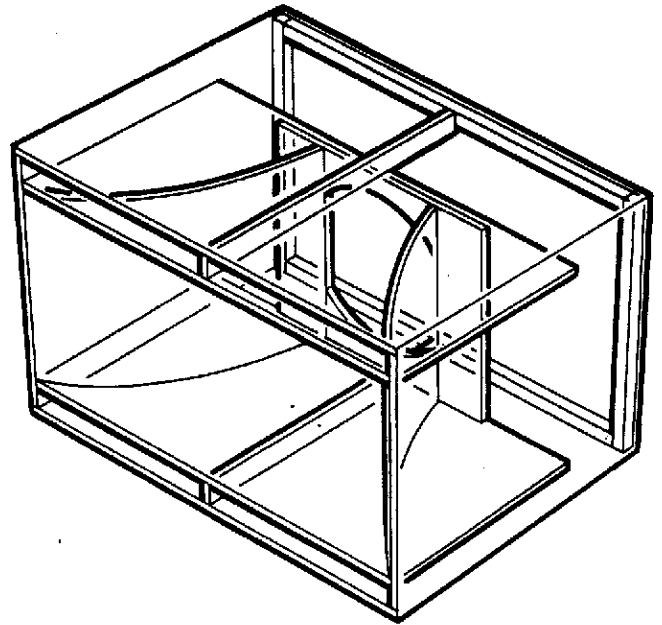
Front horn loaded, bass reflex tuned loudspeaker compartment.

Effective Volume

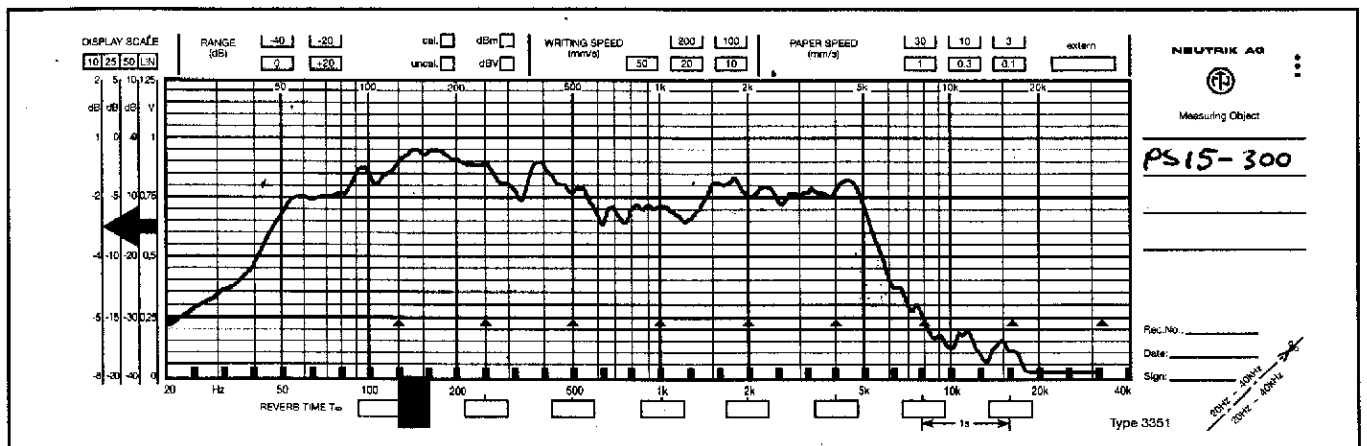
240 litres (8.5 cubic feet)

Loudspeakers

- ME 15/100 cone bass driver
- ME 15/200 cone bass driver
- ME 15/300 cone bass driver
- ME 15/300LF cone bass driver
- PS 15/300 cone bass driver
- PS 15/500 cone bass driver



Sheet Material Requirements:
1,21 x 3,68 m (4.0' x 12.1')



frequency response curve